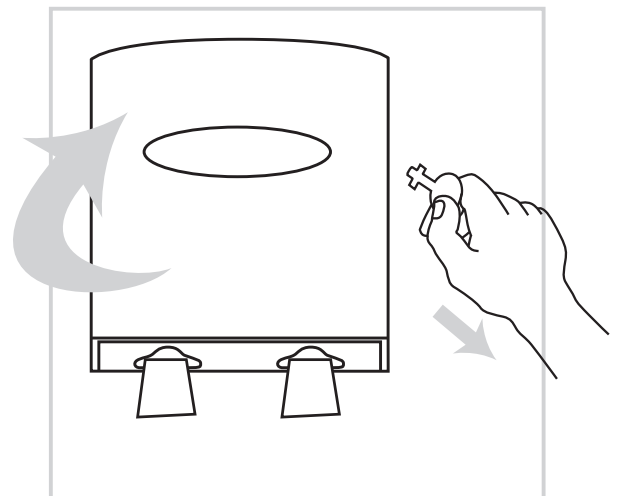
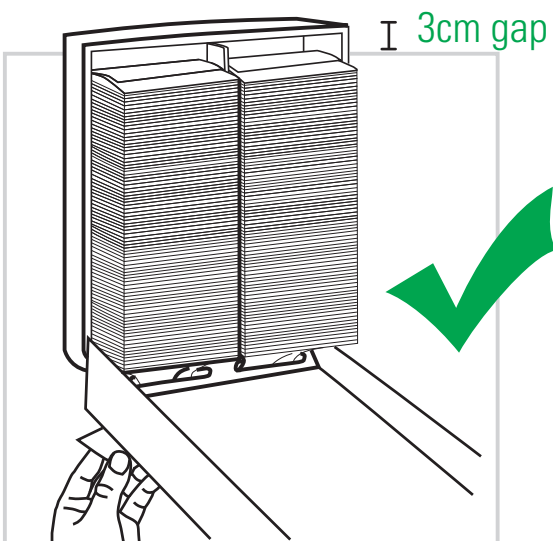


1. Use key to unlock the dispenser and lower front lid.
2. Remove wrapper and insert pack. Make sure a cut edge is facing the wall (folded edges on the sides).

3. Do not overfill the dispenser.



4. Leave a 3cm gap between tissue and top of dispenser.
5. Feed first sheet through mouth at bottom of dispenser

6. Remove key from lock and firmly close front lid.