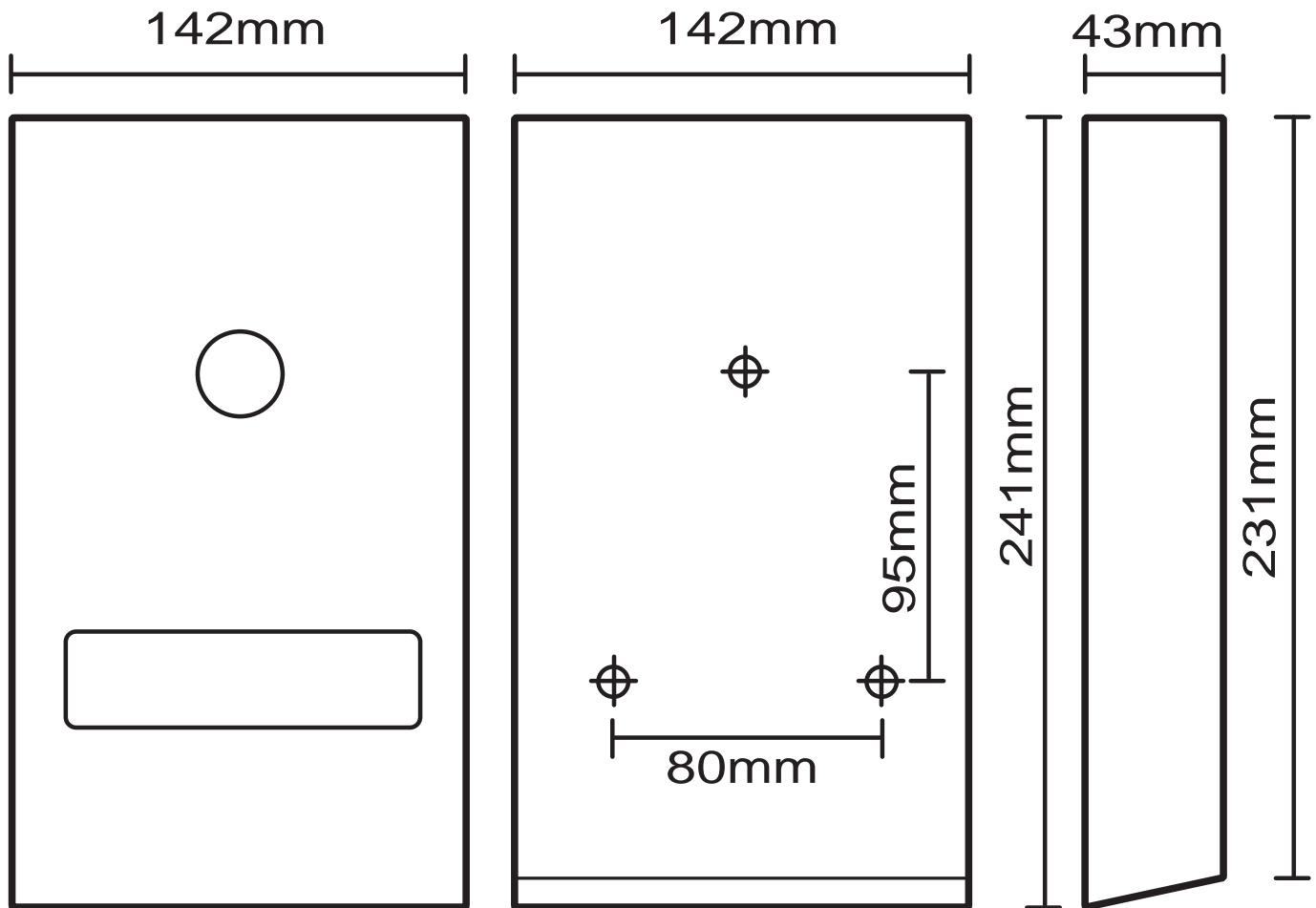


Code: 4930 Interfold Toilet Tissue Dispenser



Suits COSTSAVER® code 4301.