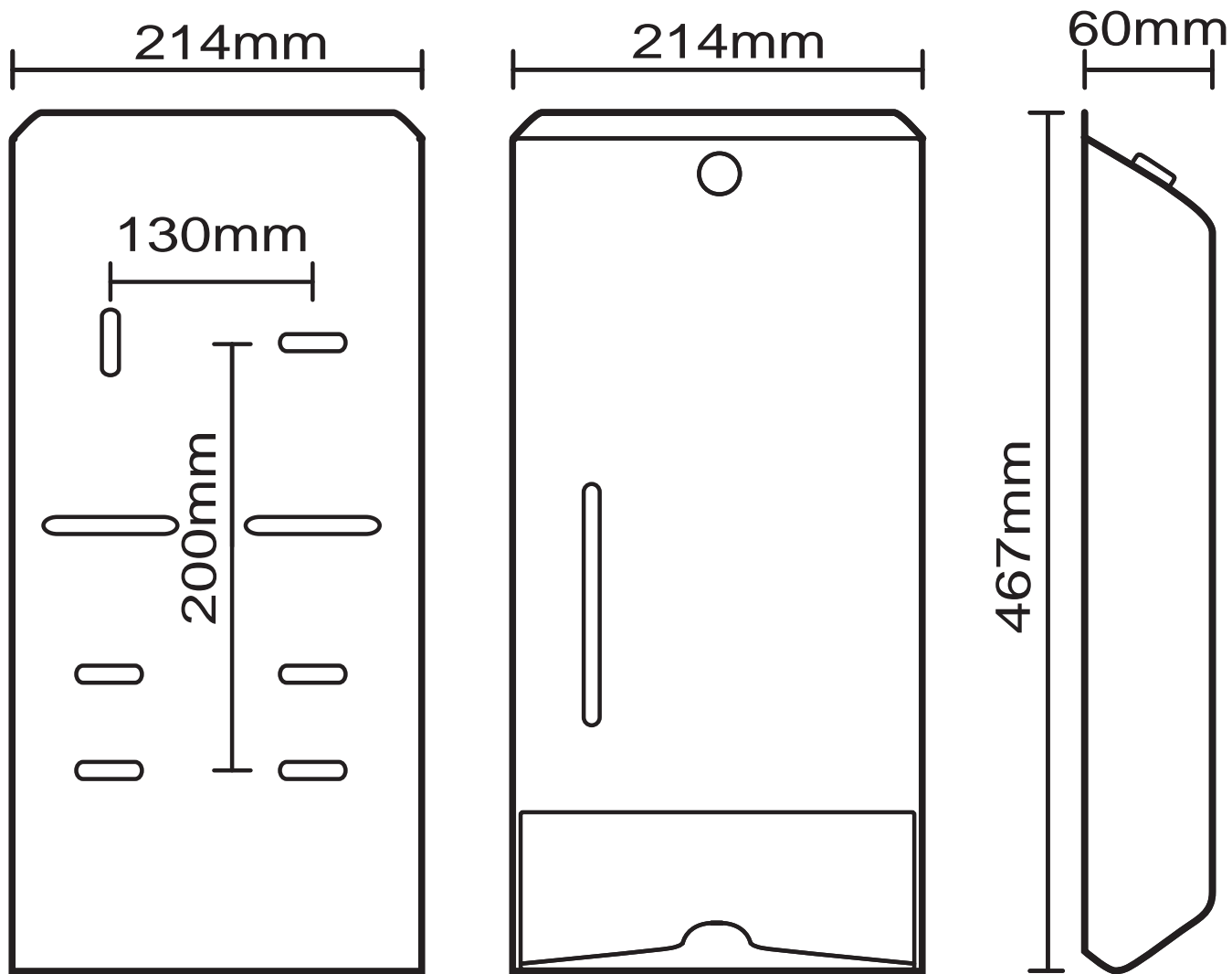


Code: 4969 Compact Towel Dispenser



Suits SCOTT® codes 4440, 4442, 4444,
COSTSAVER® code 5855.